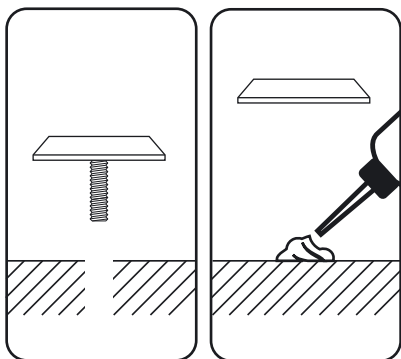


instructions

fastening

- chemical sealing.
- joining without drilling.

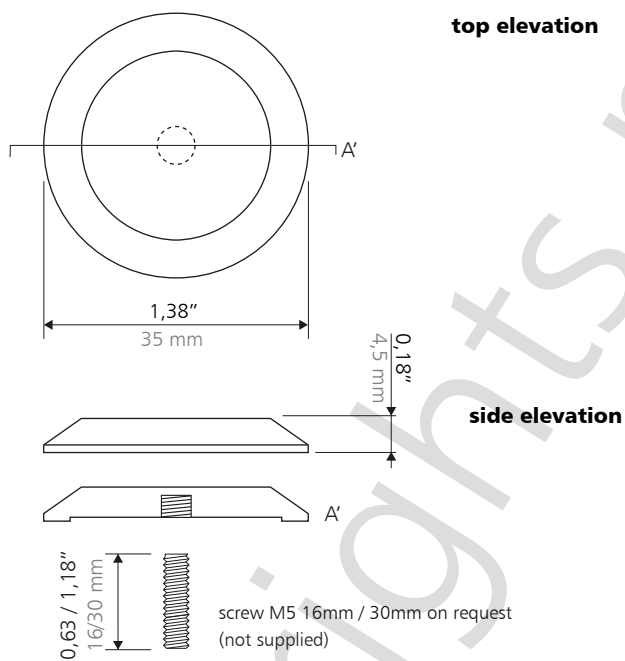
installation by drilling in option
screw M5 16mm / 30mm on request



stainless steel
316 L

technical
data sheet
**podotone
bouton in 35**
Ø1,38" mm
Ø35 mm

sizes



finish

standards

stainless steel 316 L