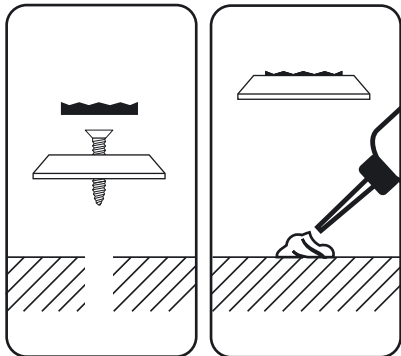


mode d'emploi

fixation

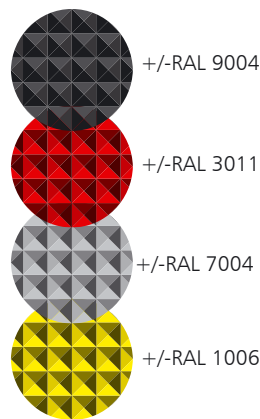
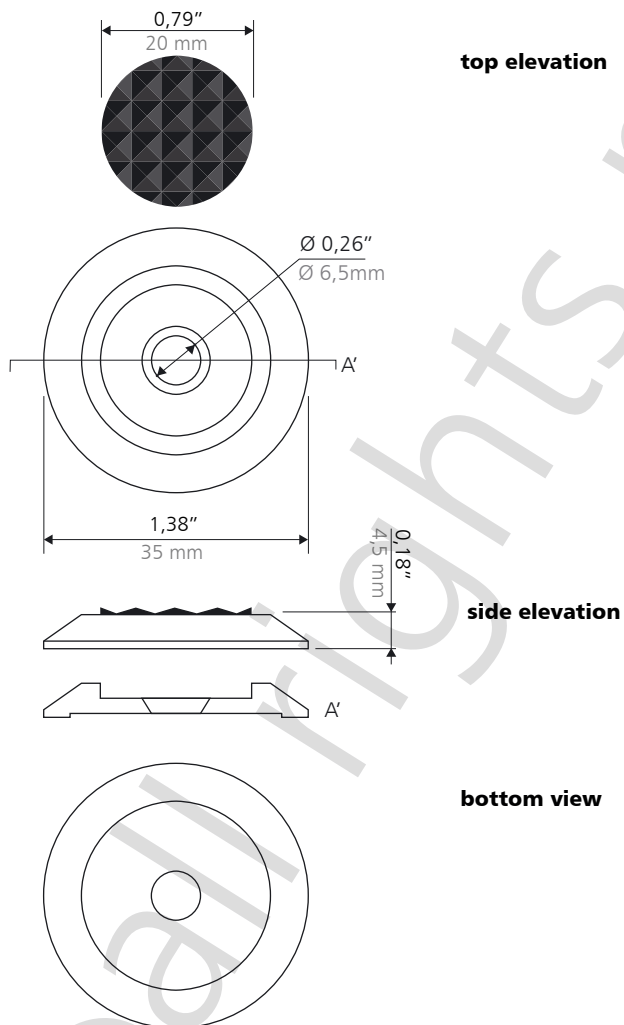
-by screwing with drilling required:
(countersunk screws not supplied)

-chemical sealing.
- joining without drilling.



technical
data sheet
podotone
bouton out 35
Ø1,38" mm
Ø35 mm

sizes



finish

standards

stainless steel 316 L with composite PVC non-skid relief